

## DATA SHEET

# EVO TANK

## RGB+W

STAINLESS STEEL AISI 316L  
ALUMINIUM 6082



Evo Tank is a special model of underwater light for installations in tanks and bulbs.

It indeed has the same lighting characteristics of the other lights of our collection without interrupting the sequence on the sides of the boat where the tanks are.

The Sea Led Evolution Series is the upgrade of the line of underwater lights by the Cantalupi Group.

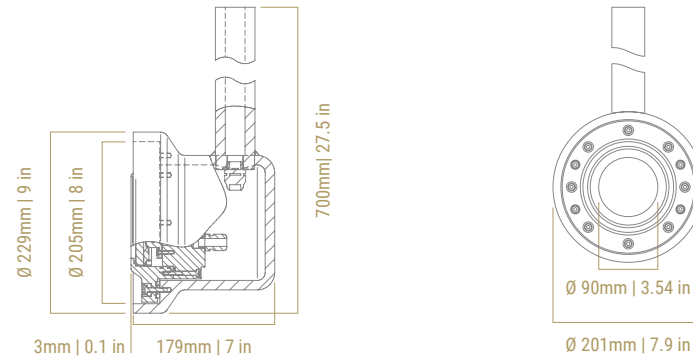
It's designed to achieve first-class lighting performance and to ensure the safety of the boat.

### LIGHT TECHNICAL DATA

Power	141 W
Current / Amp draw	1.05A @ 26 Vfr / 36 Vfgrw
CCT	RGB+W
Beam Angle (degrees)	wide 100°
Power Supply	110-220VAC-48VDC
Dimming	DALI, DMX

### FEATURES

Flange Material	<b>Stainless Steel</b> AISI 316L <b>Aluminium</b> 6082
Width dimensions	Ø 229 mm / 9 in
Light dimensions	179 mm / 7 in
Heatsink	Aluminum 6082
Glass	Protective Tempered Clear Glass
Protection	Yes
Water Ingress Protection Rating	IP68
Light Cable Length	3mt / 9' 8" (Standard)



### STAINLESS STEEL AISI 316L

**Wide Beam:** 90 SEALE RGBW TANK SS 100

### ALUMINIUM 6082

**Wide Beam:** 90 SEALE RGBW TANK AL 100

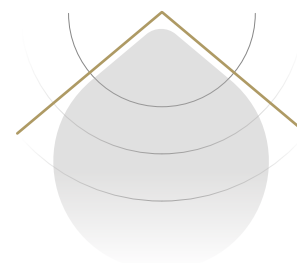
### DRIVER

Interfaceable with the most common domotic systems for select your driver choose on page: 66-67

## BEAM

**Wide Beam**

**100°**



### STAND ALONE RGB SYSTEM

for select your system  
choose on page: 67